

8 7 6 5 4 3 2 1

F

F

E

E

D

D

C

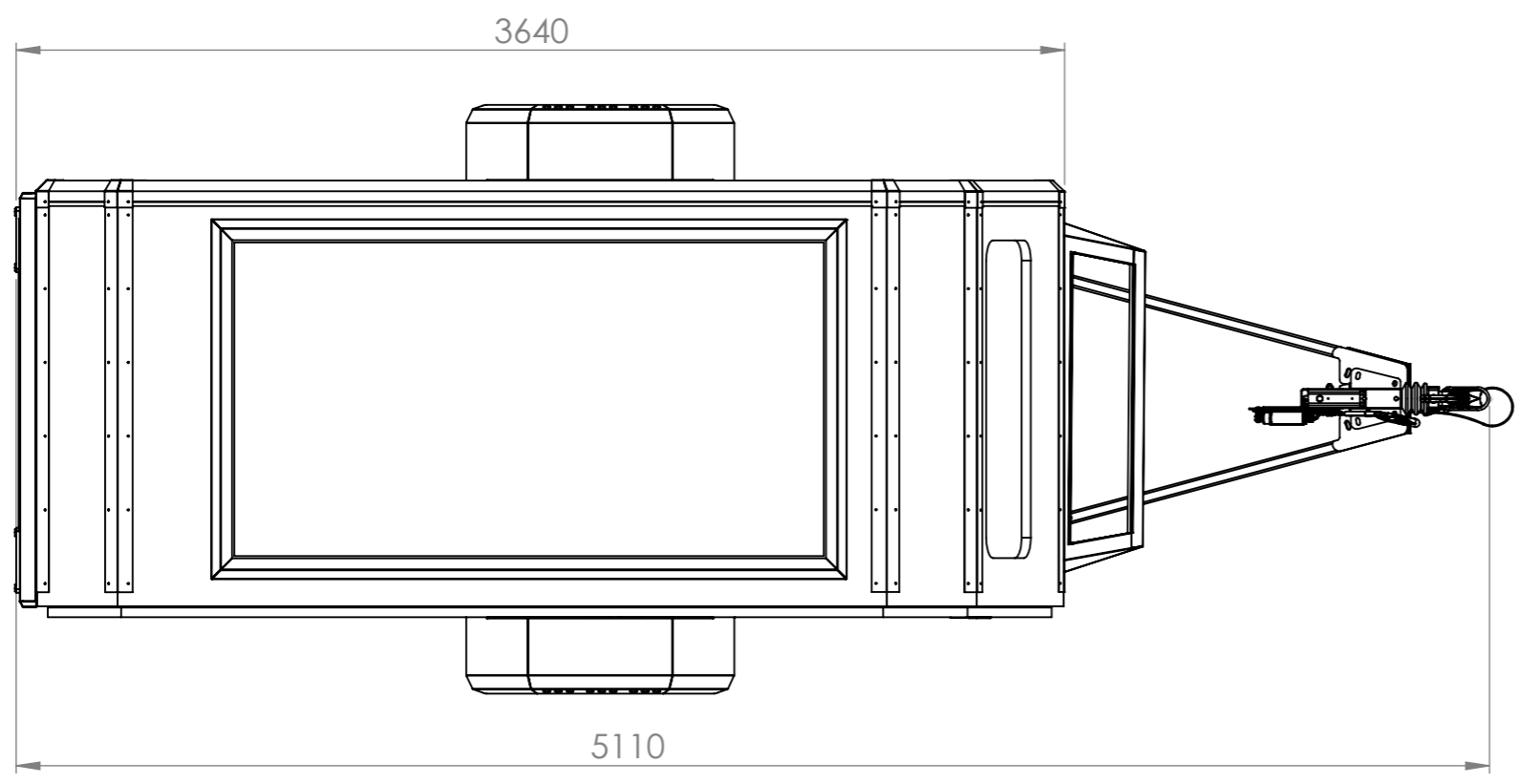
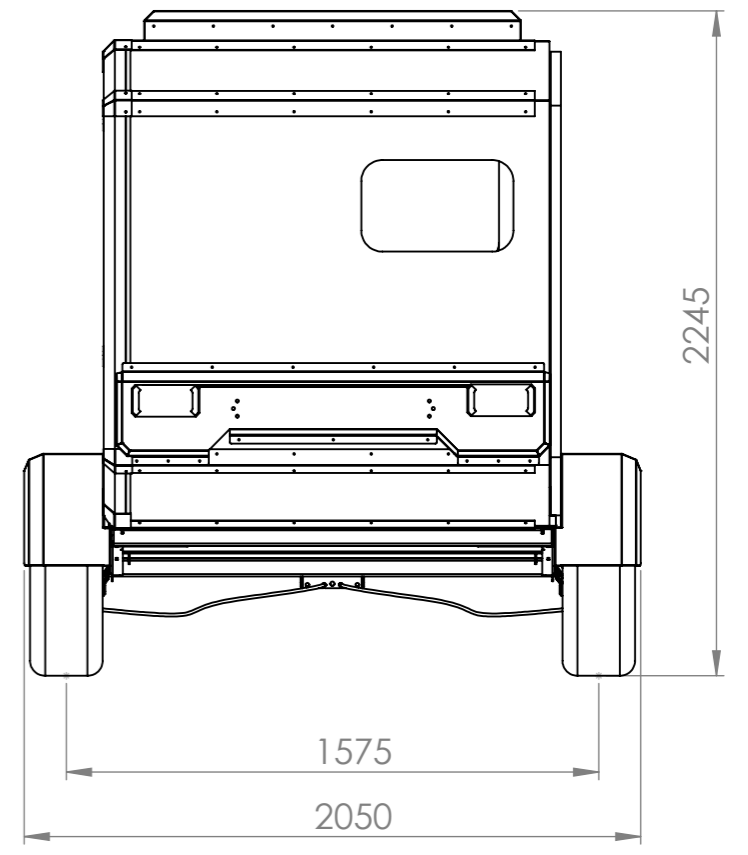
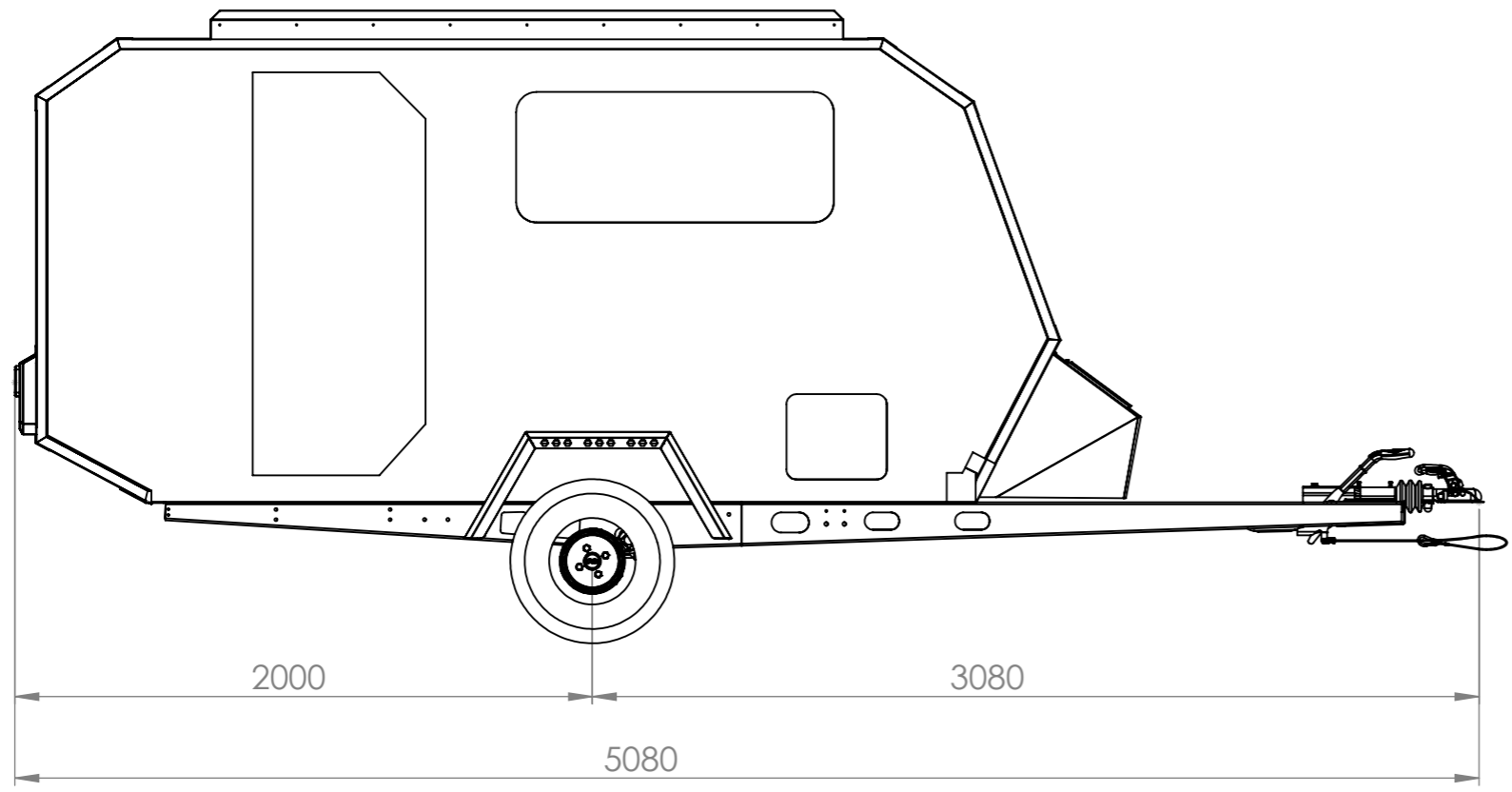
C

B

B

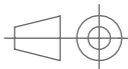
A

A



REVISIONS		DATE	APPROVAL
ZONE	REV.		
	A	First release	
	B		

Material:	Dr.By.	Date	Name:	Sing:
	Check	21.02.2024		
	Appr.			

Scale:  Scale:

This document can not reproduced without written permission of Svoboda Karavanu s.r.o.

Dwg. No. SVOBODA CAR&VANS Keta S-A
Cabinet Plan

8 7 6 5 4 3 2 1