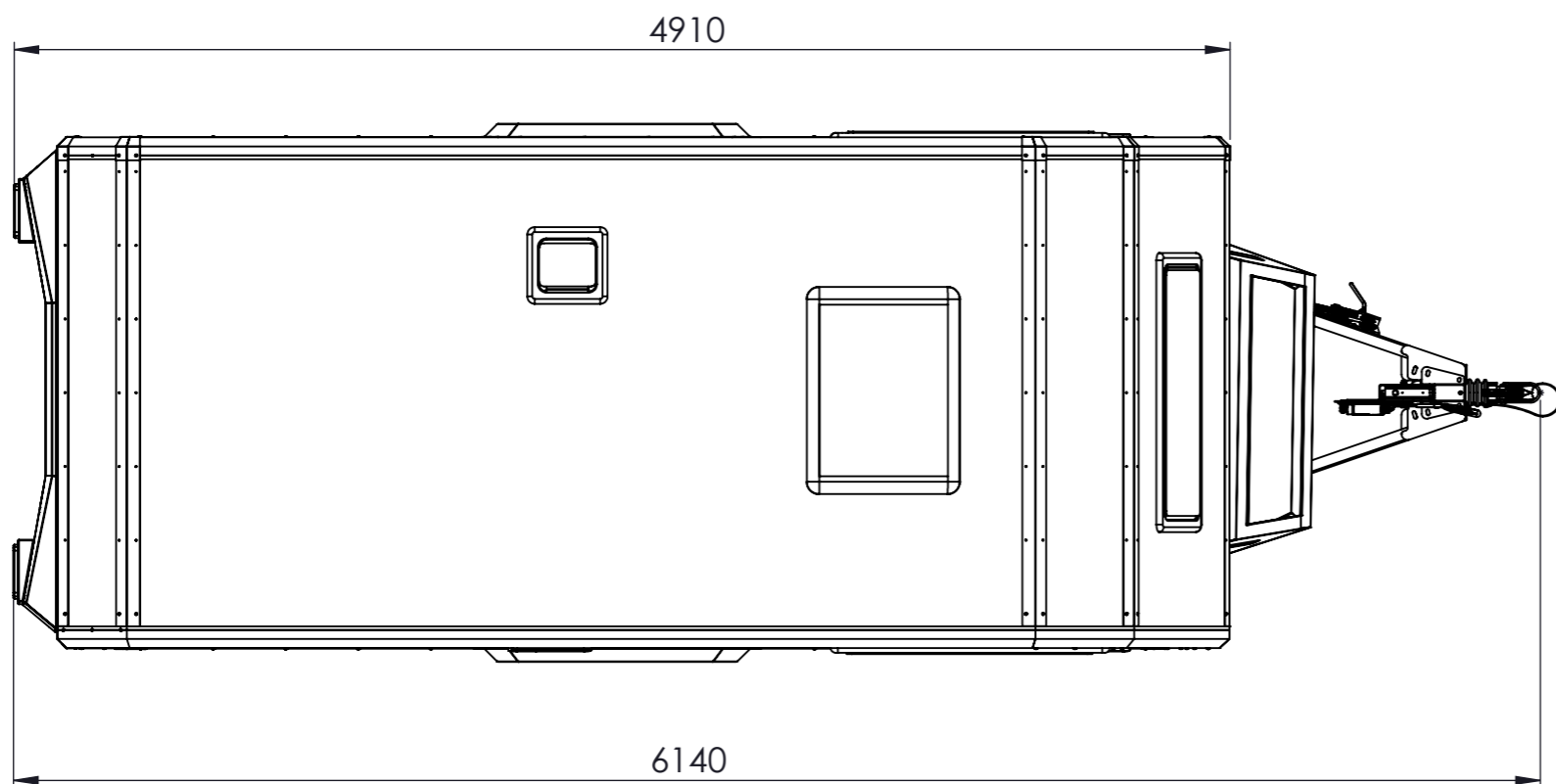
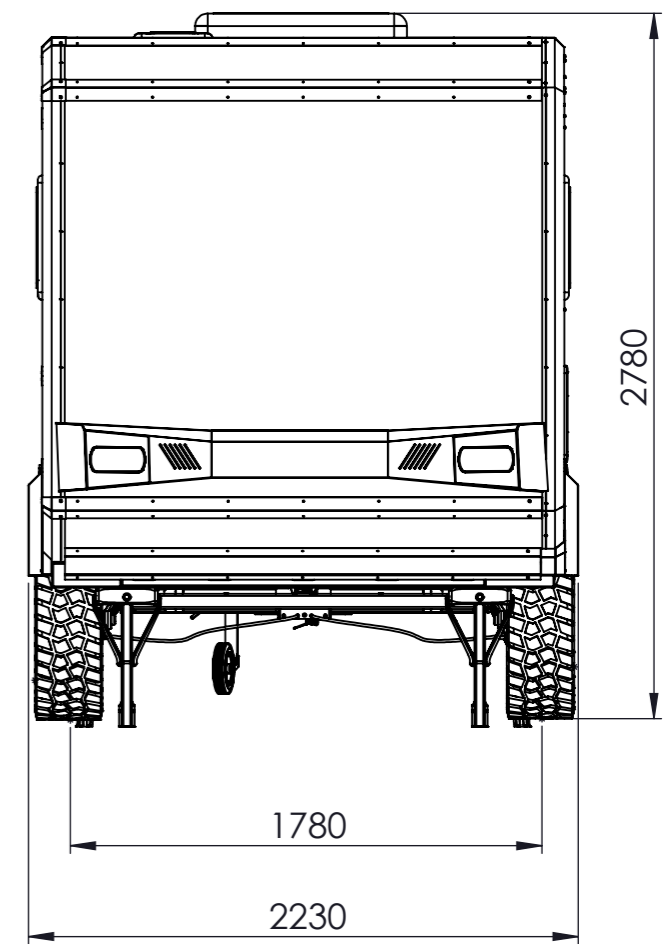
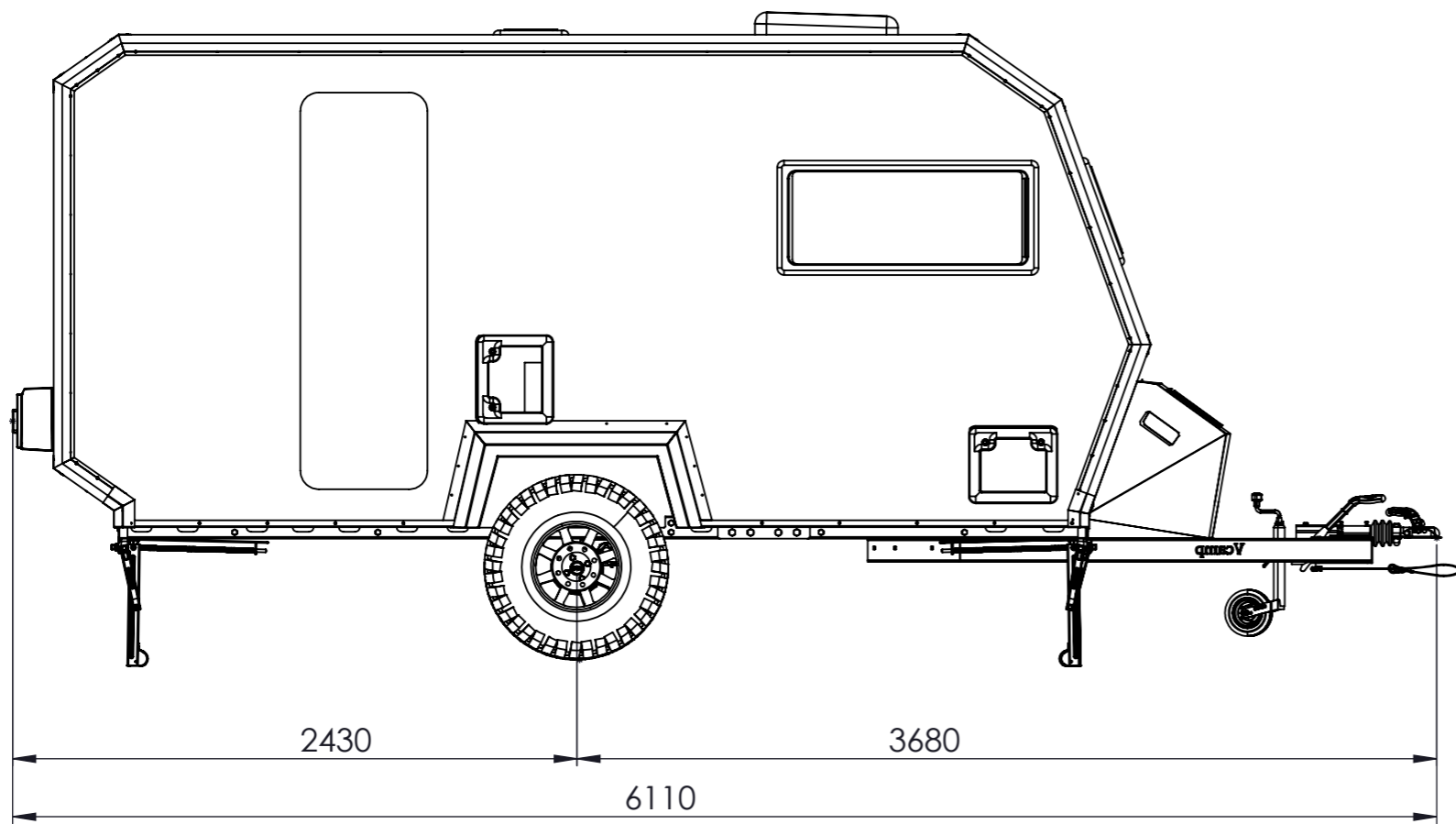


8 7 6 5 4 3 2 1




F  
E  
D  
C  
B  
A

F  
E  
D  
C  
B  
A

REVISIONS		DEFINITION	DATE	APPROVAL
ZONE	REV.			
	A	First release		
	B			

Material:	Dr.By.	Date	Name:	Sing:
	Check	21.02.2024		
	Appr.			

Scale:  Scale:

This document can not reproduced without written permission of Svoboda Karavanu s.r.o.

Dwg. No. SVOBODA CAR&VANS Keta M  
Cabinet Plan

8 7 6 5 4 3 2 1

A